



ENGINEERING INFORMATION

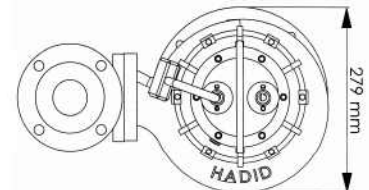
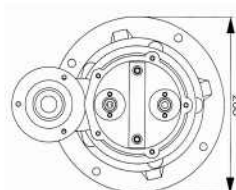
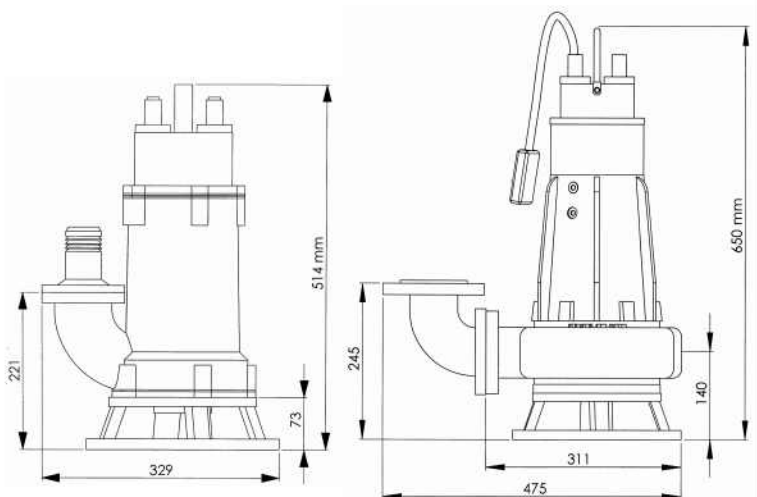
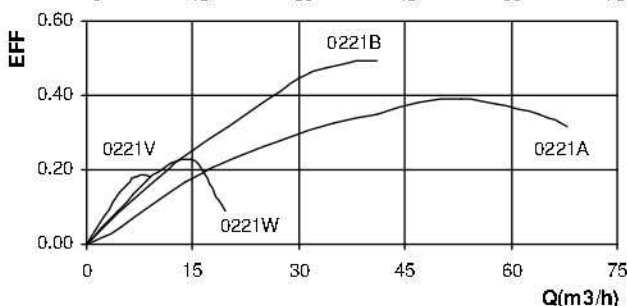
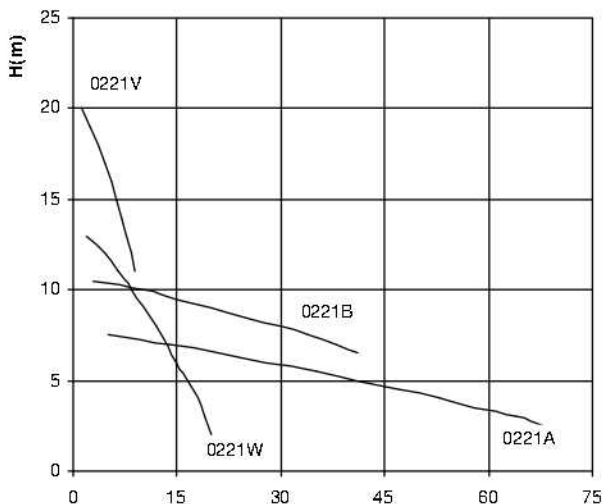
TYPE 0221A			CAPACITY											
			m3/h	68	64	58	53	47	41	35	28	21	14	5
KW	1.5	OUTLET 2 in	l/s	18.9	17.8	16.1	14.7	13.1	11.4	9.7	7.8	5.8	3.9	1.4
HP	2	PIPE DN 50	HEIGHT											
R.P.M	1450	weight 40 kg	m	2.5	3	3.5	4	4.5	5	5.5	6	6.5	7	7.5

TYPE 0221B			CAPACITY											
			m3/h	41	38	34	30	25	20	15	10	3.5		
KW	1.5	OUTLET 2 in	l/s	11.4	10.6	9.5	8.3	7	5.6	3.6	2.8	1		
HP	2	PIPE DN 50	HEIGHT											
R.P.M	1450	weight 40 kg	m	6.5	7	7.5	8	8.5	9	9.5	10	10.5		

TYPE 0221V			CAPACITY											
			m3/h	12.4	9.7	8.3	6.4	5.5	5.3	4.5	3.6	2.4	1.1	
KW	1.5	OUTLET 2 in	l/s	3.4	2.7	2.3	1.8	1.5	1.47	1.25	1	0.7	0.3	
HP	2	PIPE DN 50	HEIGHT											
R.P.M	2950	weight 23 kg	m	11	12	13	14	15	16	17	18	19	20	

TYPE 0221W			CAPACITY											
			m3/h	20	19	18	16.5	13	12	8.5	6.5	4.5	2	
KW	1.5	OUTLET 2 in	l/s	5.6	5.3	5	4.6	4.2	3.3	2.4	1.8	1.3	0.6	
HP	2	PIPE DN 50	HEIGHT											
R.P.M	2950	weight 23 kg	m	2	3	4	5	6	8	10	11	12	13	

IP68 - CLASS F - 220V - 40μF – 8.8 A - 50HZ



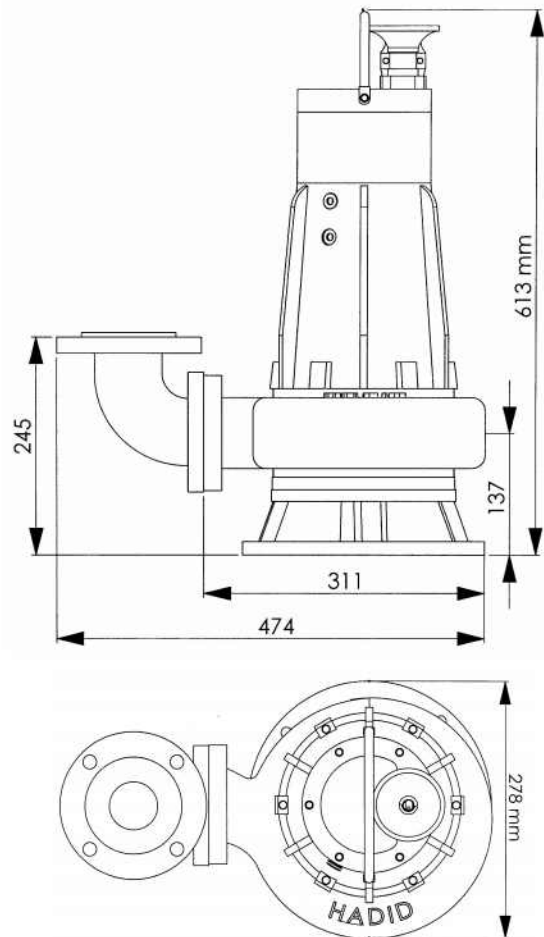
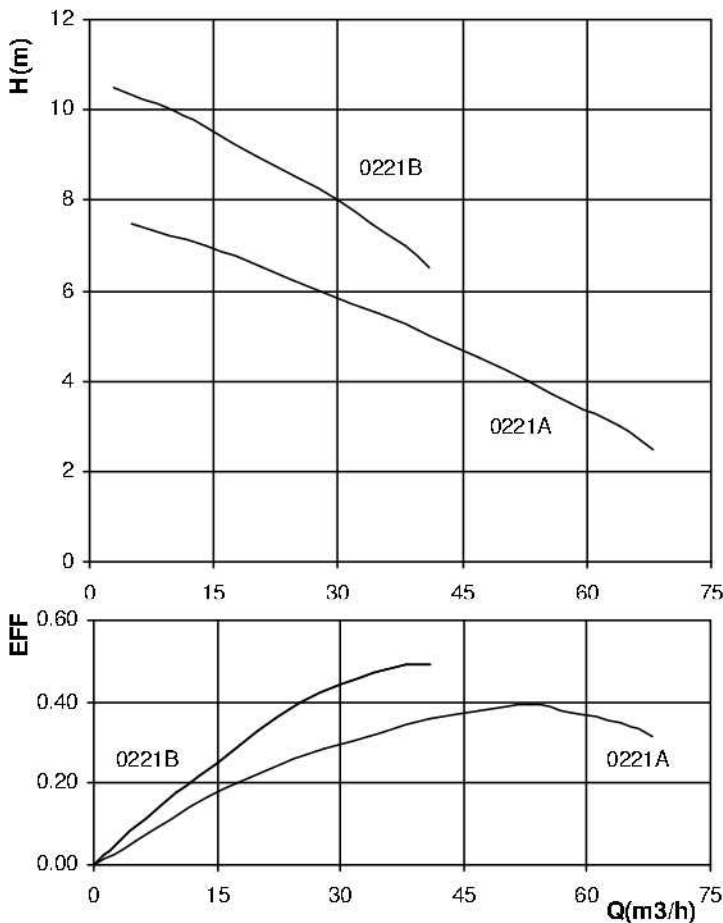


ENGINEERING INFORMATION

TYPE 0221A			CAPACITY											
			m3/h	68	64	58	53	47	41	35	28	21	14	5
KW	1.5	OUTLET 2 in	l/s	18.9	17.8	16.1	14.7	13.1	11.4	9.7	7.8	5.8	3.9	1.4
HP	2	PIPE DN 50	HEIGHT											
R.P.M	1450	weight 62 kg	m	2.5	3	3.5	4	4.5	5	5.5	6	6.5	7	7.5

TYPE 0221B			CAPACITY											
			m3/h	41	38	34	30	25	20	15	10	3.5		
KW	1.5	OUTLET 2 in	l/s	11.4	10.6	9.5	8.3	7	5.6	3.6	2.8	1		
HP	2	PIPE DN 50	HEIGHT											
R.P.M	1450	weight 62 kg	m	6.5	7	7.5	8	8.5	9	9.5	10	10.5		

IP68 - CLASS F - 380 V (Y) - 4 A - 50HZ





ENGINEERING INFORMATION

TYPE 0221A/C		CAPACITY							
KW	1.5	m ³ /h	23	20.5	17.5	11.5	6		
HP	2	L/s	6.4	5.7	4.9	3.2	1.7		
OUTLET	2 in	L/min	384	342	294	192	102		
PIPE DN 50		HEIGHT							
R.P.M	1450	weight	27 kg	m	4	5	6	7	7.5

TYPE 0221B/C		CAPACITY										
KW	1.5	m ³ /h	46	44	40	35	29	22	14	5		
HP	2	L/s	12.8	12.2	11.1	9.7	8	6.1	3.9	1.4		
OUTLET	2 in	L/min	768	733	666	583	483	366	234	83		
PIPE DN 50		HEIGHT										
R.P.M	1450	weight	27 kg	m	7	8	10	12	14	16	18	20

IP68 - CLASS F - 380 V - 4 A - 50HZ

IP68 - CLASS F -40 μF- 220 V - 8 A - 50HZ

